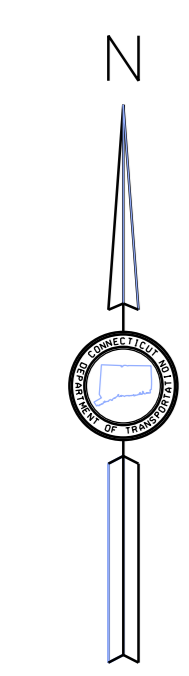


FUNCTIONAL CLASSIFICATION LEGEND

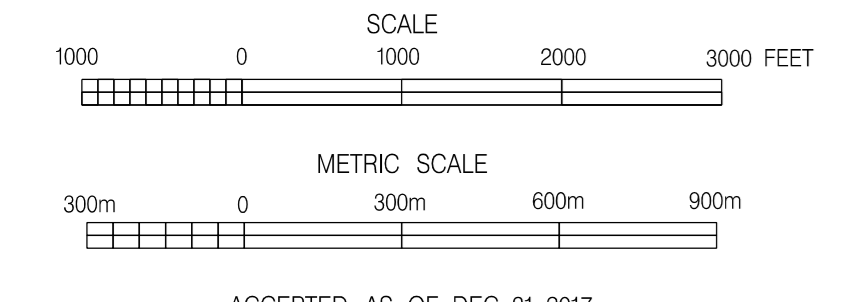
URBANIZED AREA	
Principal Arterial	
- Interstate	Blue line
- Other Expwy	Brown line
- Other	Red line
Minor Arterial	Green line
Collector	Purple line
Local	Black line
RURAL AREA	
Principal Arterial	
- Interstate	Blue line
- Other Expwy	Brown line
- Other	Red line
Minor Arterial	Green line
Major Collector	Purple line
Minor Collector	Yellow line
Local	Black line
UPDATED: 10/29/2018	



This map developed for internal use only. It is a cartographic rendering of GIS roadway records. It should not be referenced or incorporated in any report or other legal document or proceedings.

**MIDDLETOWN
CONNECTICUT**

PREPARED BY THE
CONNECTICUT DEPARTMENT OF TRANSPORTATION
IN COOPERATION WITH THE
U.S. DEPARTMENT OF TRANSPORTATION
FEDERAL HIGHWAY ADMINISTRATION



ACCEPTED AS OF DEC. 31, 2017