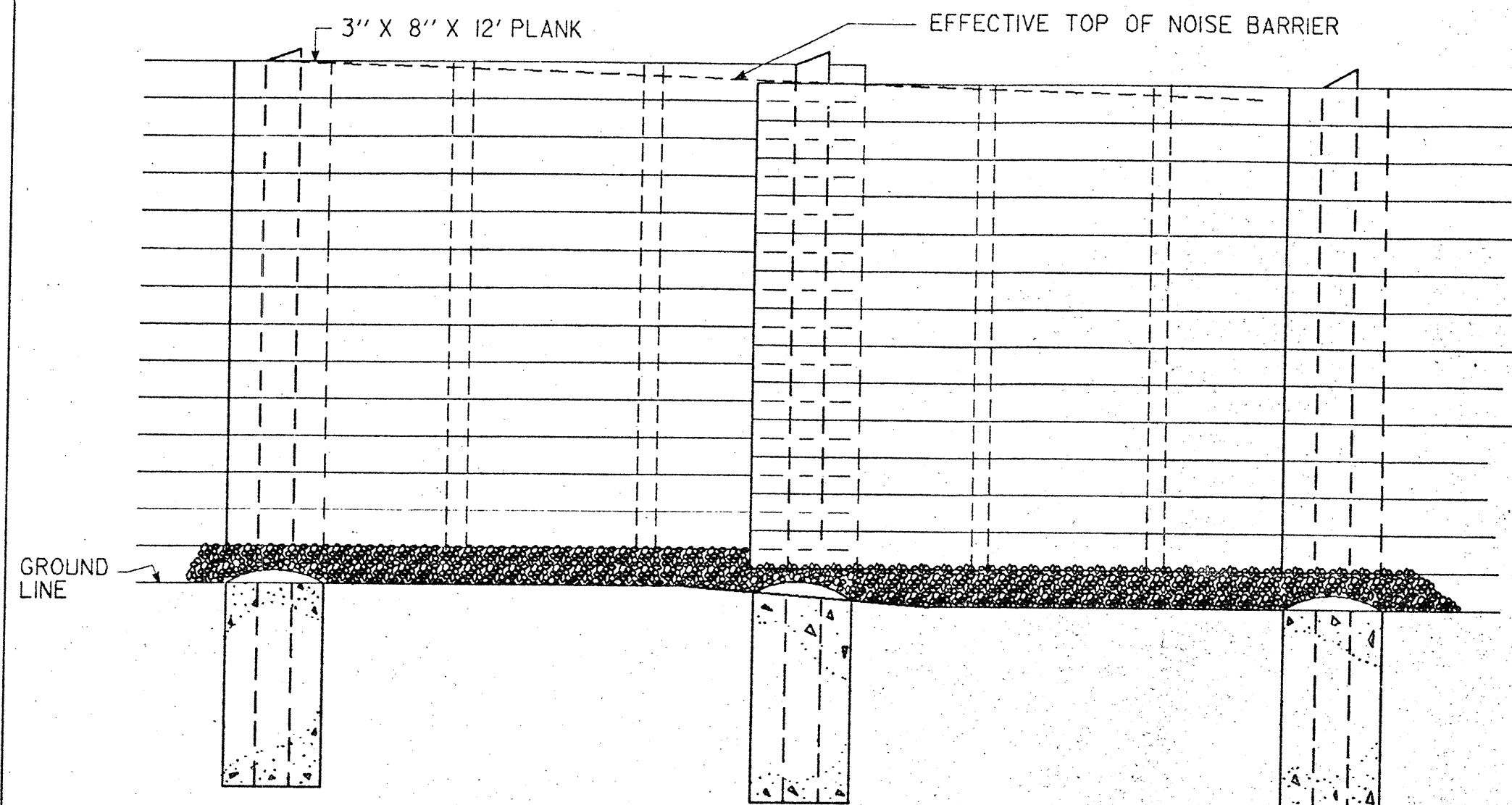
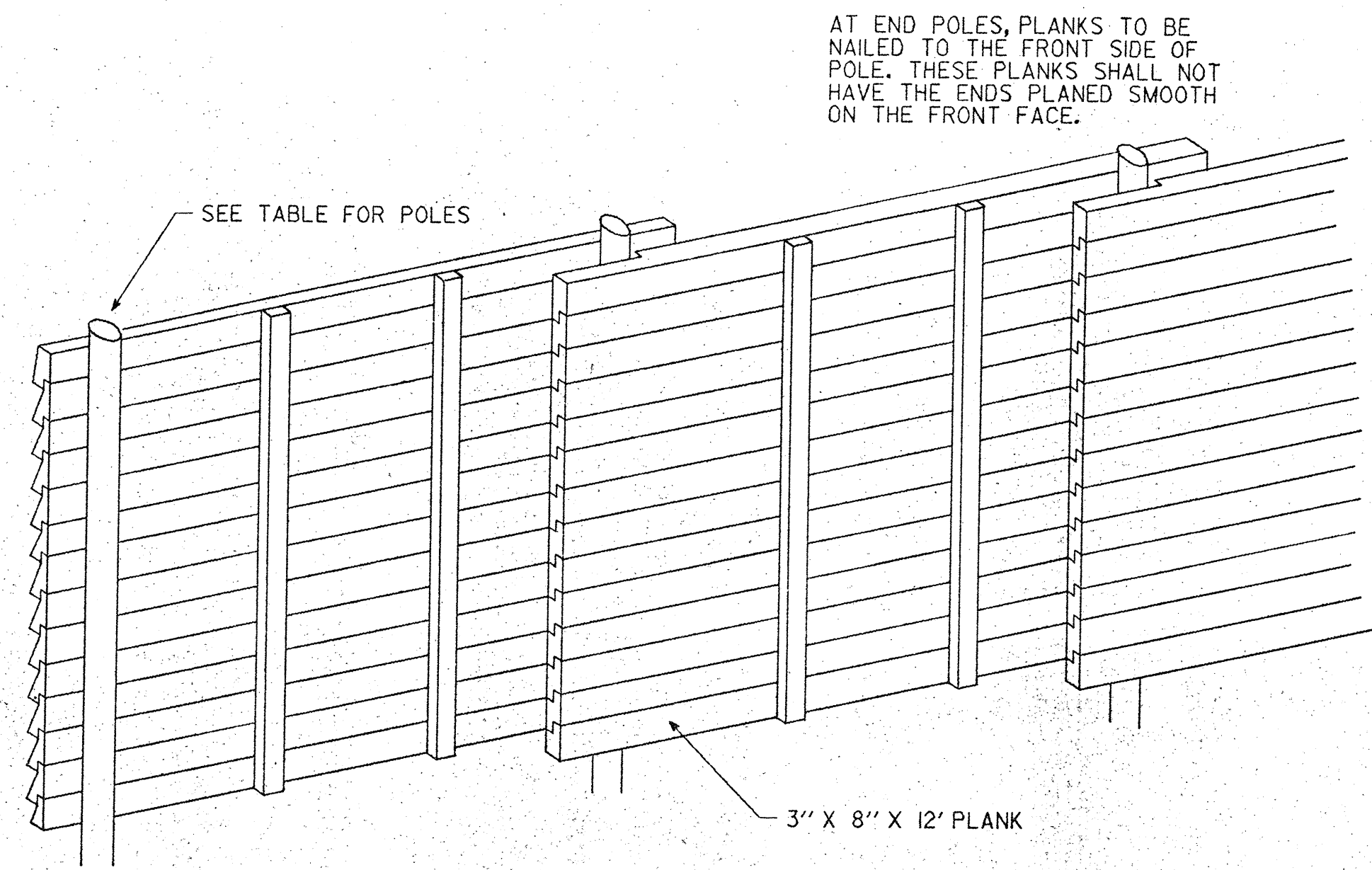


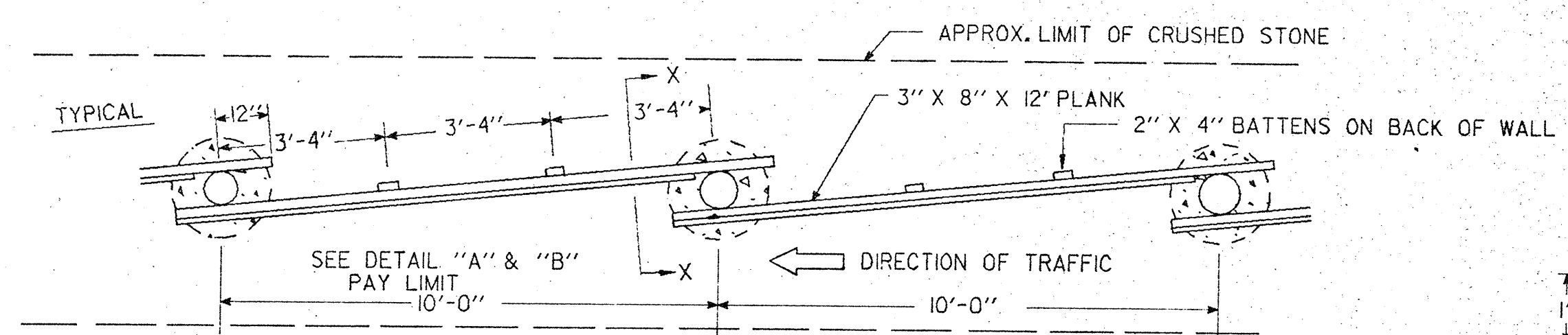
F.H.W.A. REGION NO.	STATE	TOWN	FED. AID PROJ. NO.	PROJ. NO.	YEAR	ROUTE NO.	SHEET NO.	TOTAL SHEETS
	CONN.							



ELEVATION



ISOMETRIC VIEW-SIDE AWAY FROM HIGHWAY

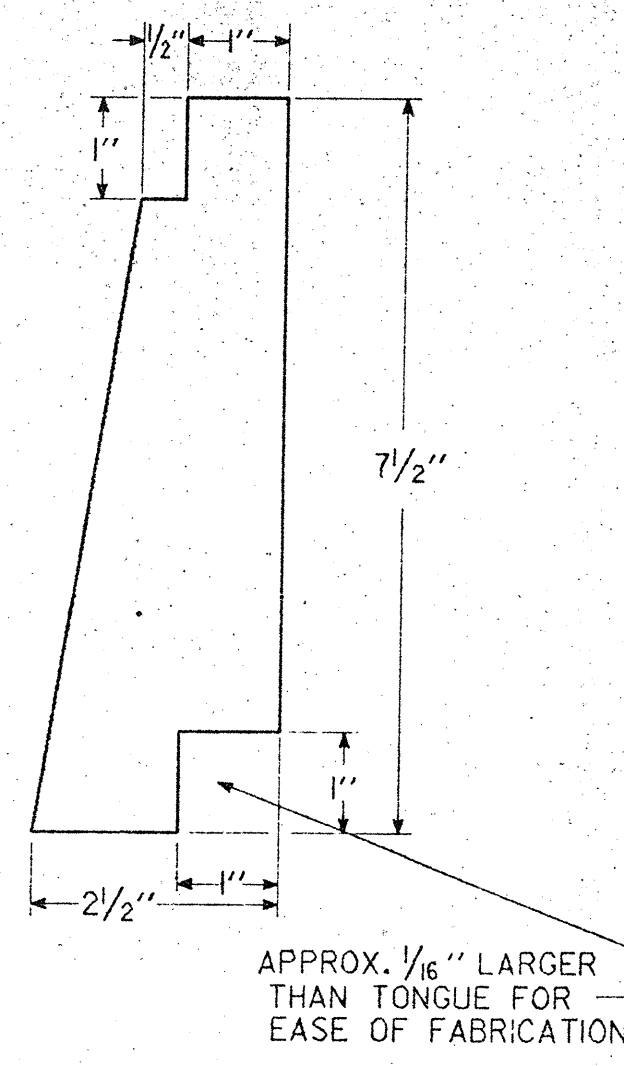


PLAN VIEW

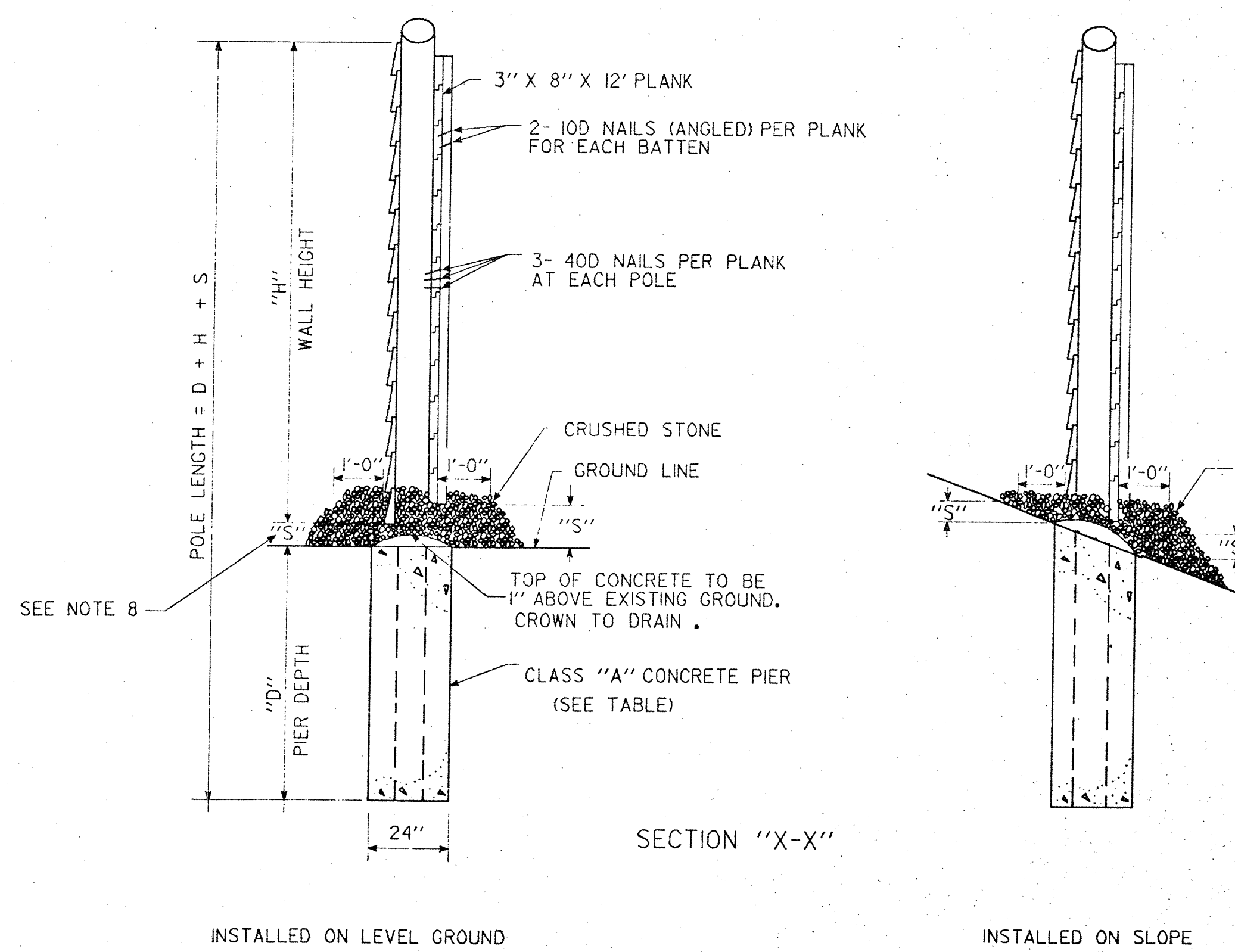
TABLE - PIER DEPTH "D" - FT. (GRANULAR SOIL ONLY)

WALL HGT. "H"	POLE DIA. AT TOP OF PIER	MIN. ALLOWABLE DIA. AT TOP OF POLE	PIER DEPTH "D"		
			CASE # 1	CASE # 2	CASE # 3
6'	7"	5.5"	4'	6'	6'
8'	8"	6"	5'	6'	7'
10'	9"	6.5"	5'	7'	8'
12'	10"	7"	6'	8'	9'
14'	11"	7.5"	7'	9'	10'
16'	12"	8"	7'	10'	10'
18'	13"	8.5"	8'	10'	11'
20'	14"	9"	8'	11'	12'
22'	15"	9.5"	9'	12'	12'

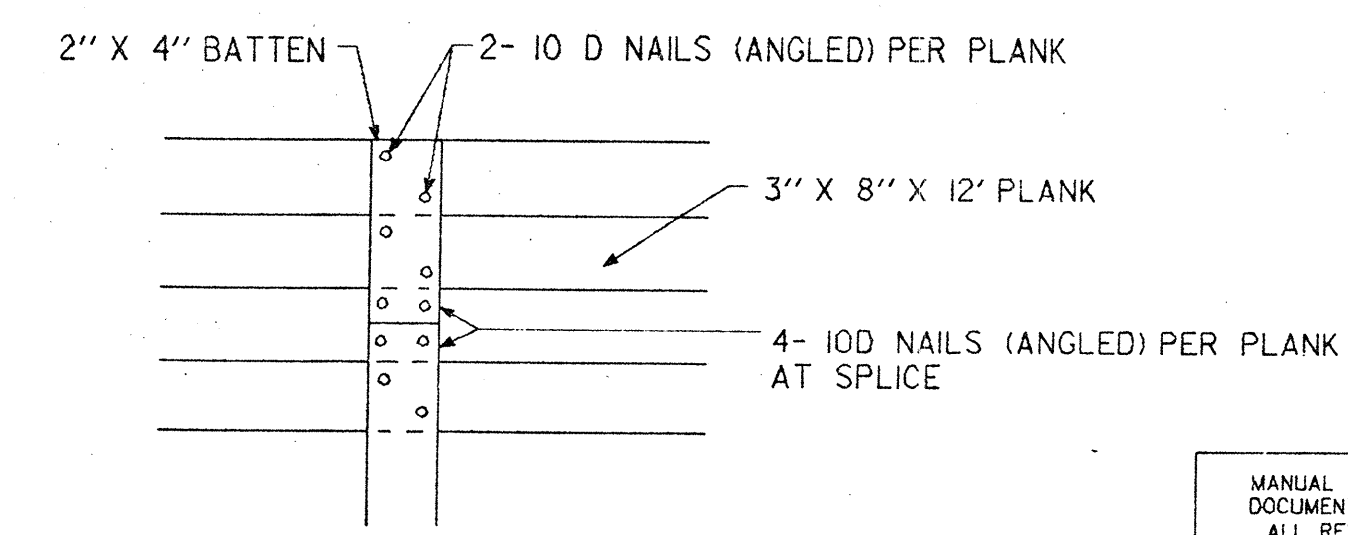
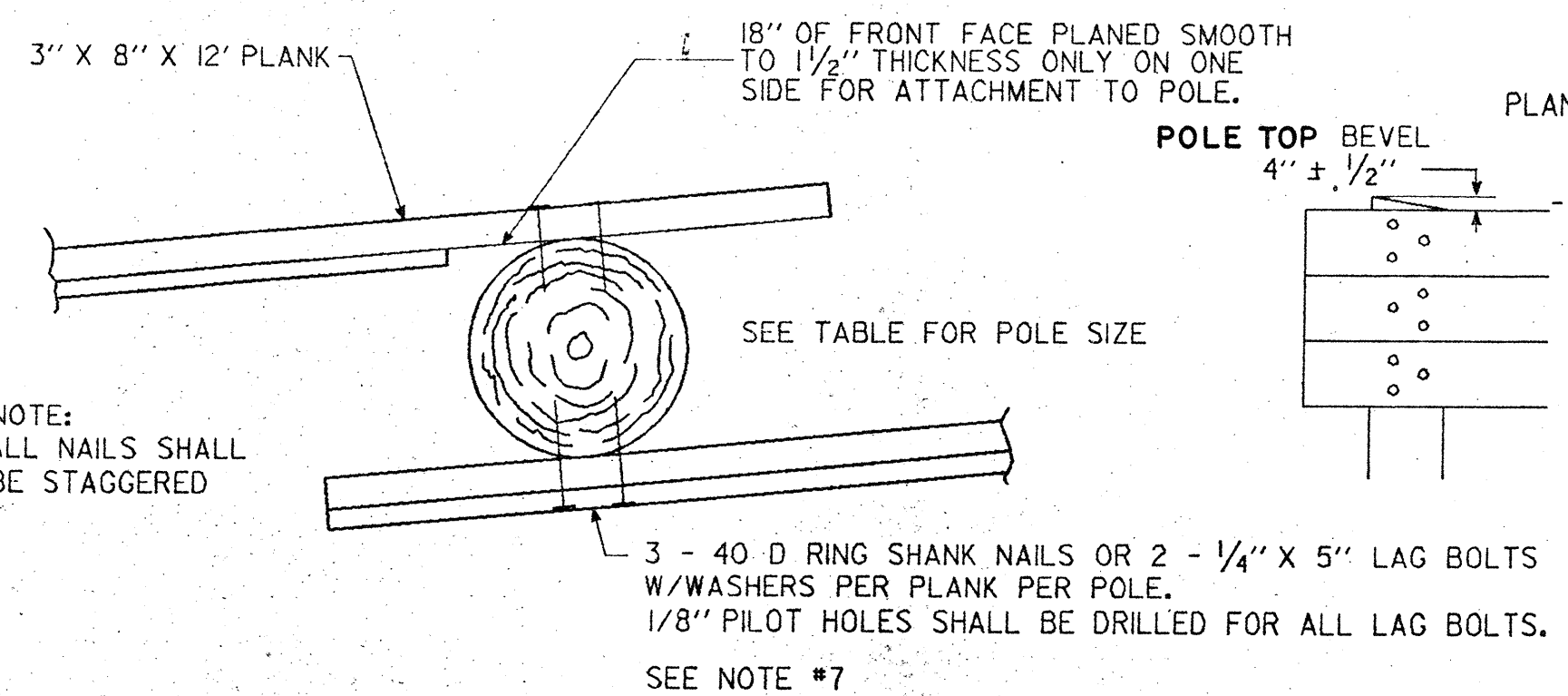
CASE #1 FLAT SURFACE WITH WATER TABLE BELOW BOTTOM OF HOLE.  
CASE #2 FLAT SURFACE WITH WATER TABLE ABOVE BOTTOM OF HOLE.  
CASE #3 A SIDE SLOPE OF 2:1 WITH WATER TABLE BELOW BOTTOM OF HOLE.



NOTE: TOP PLANK SHALL NOT HAVE TONGUE. BOTTOM PLANK MAY HAVE GROOVE. NOMINAL LUMBER DIMENSIONS WILL BE SATISFACTORY.



SECTION "X-X"



- CONCRETE SHALL BE CLASS "A" IN CONFORMANCE WITH SECTION 6.01.
- LUMBER & POLES  
ALL LUMBER SHALL BE NO. 1KD OR BETTER SOUTHERN YELLOW PINE OR DOUGLAS FIR - LARCH, SURFACED FOUR SIDES. ALL LUMBER AND POLES SHALL BE COMMERCIALY INSPECTED BY AN INDEPENDENT COMPANY. ALL CCA TREATED LUMBER AND POLES SHALL BE KILN DRIED TO 15% MOISTURE CONTENT AFTER TREATMENT. POLES TO BE SOUTHERN YELLOW PINE OR DOUGLAS FIR CONFORMING TO AWPB CP-88.
- TREATING SPECIFICATIONS  
TWO TYPES OF TREATMENT ARE ACCEPTED:  
A: CCA IN ACCORDANCE WITH AWPB P-5  
B: PENTACHLOROPHENOL IN ACCORDANCE WITH AWPB P-9, TYPE B (L.P.G.)  
ALL MATERIAL SHALL HAVE A MINIMUM TREATMENT AS FOLLOWS:  
PENTACHLOROPHENOL 0.50 LBS. PER CU. FT.  
CCA 0.40 LBS. PER CU. FT.  
CCA (POLES) 0.60 LBS. PER CU. FT.  
TREATMENT TO CONFORM TO AWPB C-2 FOR PLANK, PANELS, BATTENS AND AWPB C-4 FOR POLES. ALL MATERIAL SHALL BE PROTECTED FROM WEATHER UNTIL INSTALLED.
- THE PLANK ENDS SHALL BE IN A VERTICAL STRAIGHT LINE AND ALL PLANKS SHALL FIT TIGHTLY AT THE TIME OF INSTALLATION. ANY PLANK WHICH DOES NOT FIT TIGHTLY SHALL BE REJECTED.
- FIELD CUTS AND HOLES SHALL BE TREATED IN ACCORD WITH AWPB M4.
- STAIN - PENETRATING EXTERIOR OIL BASE SEMI-TRANSPARENT STAIN COMPATIBLE WITH THE PRESERVATIVE TREATMENT. (COLOR SHALL BE GREEN UNLESS OTHERWISE NOTED ON THE PLAN)
- ALL METAL SHALL BE STAINLESS STEEL TYPE 304 OR 316.

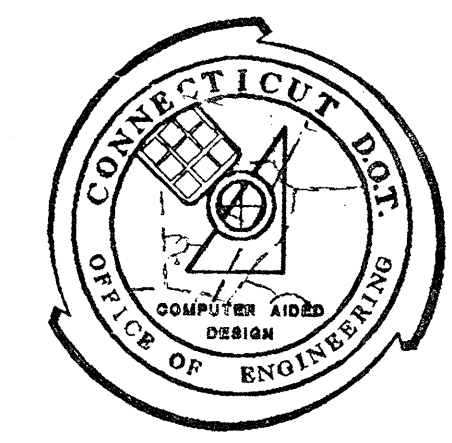
ALL NAILS SHALL BE RING SHANKED AND COUNTER SUNK. 40D NAILS SHALL BE A MINIMUM DIAMETER OF .220 INCHES AND SHALL BE A MINIMUM LENGTH OF 5 INCHES LONG. 10D NAILS SHALL BE A MINIMUM DIAMETER OF .145 INCHES AND SHALL BE A MINIMUM OF 2 3/4 INCHES LONG. LAG BOLTS SHALL BE 1/4" X 5" LONG.

THE CRUSHED STONE SHALL CONFORM TO ARTICLE M.01.01. PLACED TO A MIN. DEPTH OF 2" ABOVE THE BOTTOM OF THE PANEL PLANKS. "S" SHALL BE A MINIMUM OF 2".

TEST CERTIFICATION REQUIRED - REF. ARTICLE 1.06.07	
CERTIFIED TEST REPORT	MATERIAL CERTIFICATE
LUMBER & POLES	
TREATMENT	

A CERTIFICATE OF COMPLIANCE IS ALSO REQUIRED ON THE ABOVE ITEMS.

MANUAL REVISIONS TO THIS DOCUMENT ARE PROHIBITED. ALL REVISIONS MUST BE PERFORMED ON CADD FILE: 05A2200,2001968.DGN



STANDARD SHEET  
CONN. DEPT. OF TRANSPORTATION

TIMBER NOISE BARRIER WALL  
TYPE 2

REVISIONS		DESIGNED BY:	T. McMAHON	DATE:	1-89	
NO.	DATE	DESCRIPTION	DRAFTED BY:	S.A. ROBERTS	DATE:	3-89
			REVIEWED BY:	T. McMAHON	DATE:	6-91
			APPROVED BY:	M. SHAW	DATE:	6-91
			APPROVED:	[Signature]	DATE:	2-92
			F.H.W.A. APPROVED:	[Signature]	DATE:	9-18-91

Scale: NOT TO SCALE

STANDARD NUMBER  
916-B